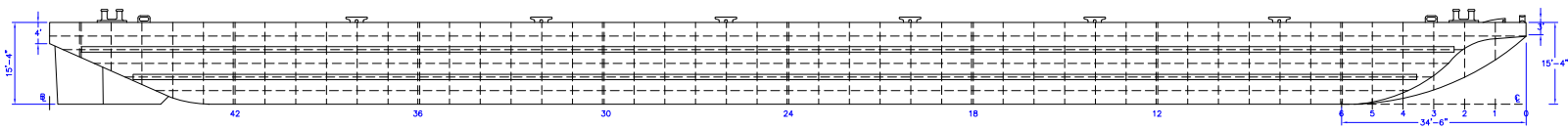
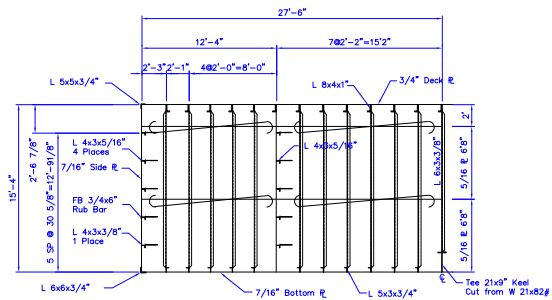
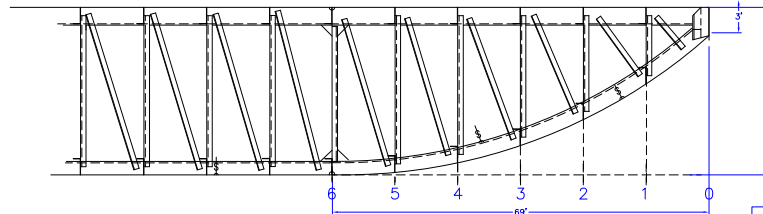
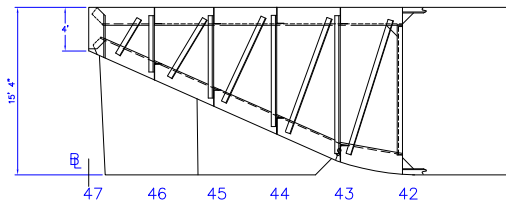


PLAN

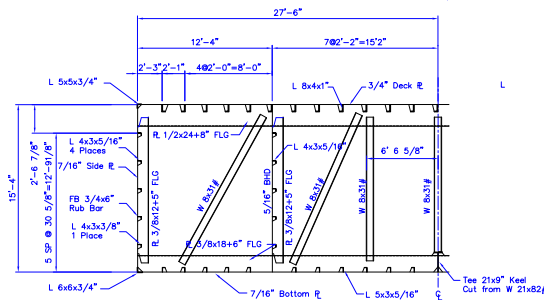


PROFILE



MIDBODY TRANSVERSE FRAME

LOOKING FWD.
3/4"=1'-0"



MIDBODY TRANSVERSE BULKHEAD

LOOKING FWD.
3/4"=1'-0"



Canal Barge Company, Inc.
835 Union Street
New Orleans, LA 70112
Phone 504.581.2424
www.canalbarge.com

SCANTLING PLAN

276' x 55' x 15' 6"

DECK BARGE

CBC 2762

LEGAL NOTICE: General arrangement and other drawings are provided for informational purposes only. Canal Barge Company, Inc. does not warrant the accuracy of any drawing of any barge. By accessing and/or downloading any barge drawing, user agrees to hold harmless Canal Barge Company, Inc. from any claim or loss that may arise from the use of those drawings or any errors or omissions therein.