

AS BUILT
BARGE NUMBERS:
CBC 1951, CBC 1952, CBC 1953 & CBC 1954

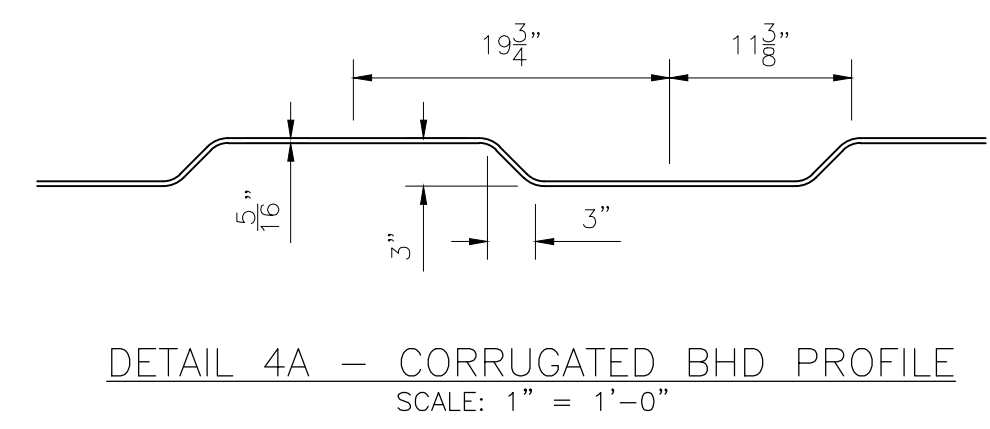
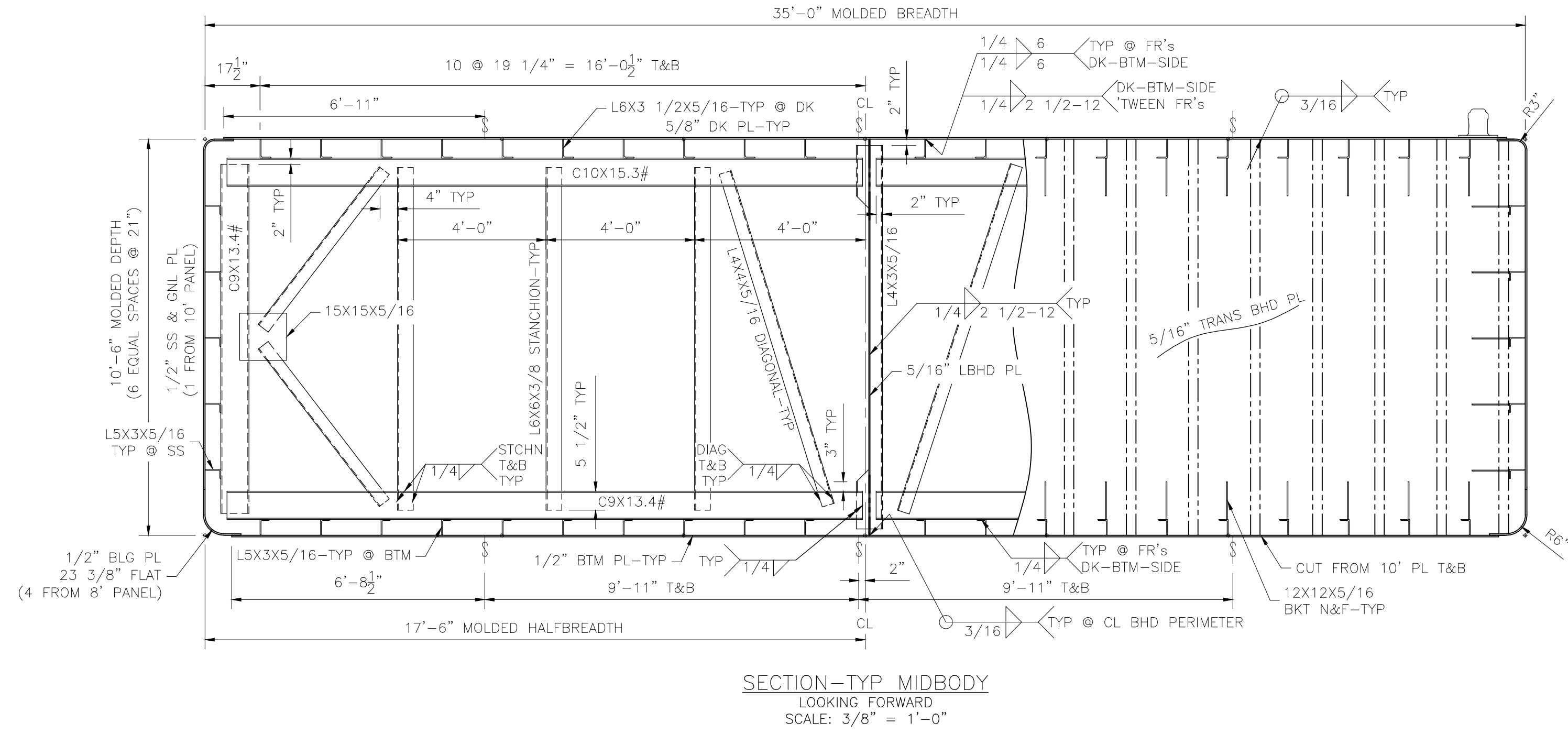
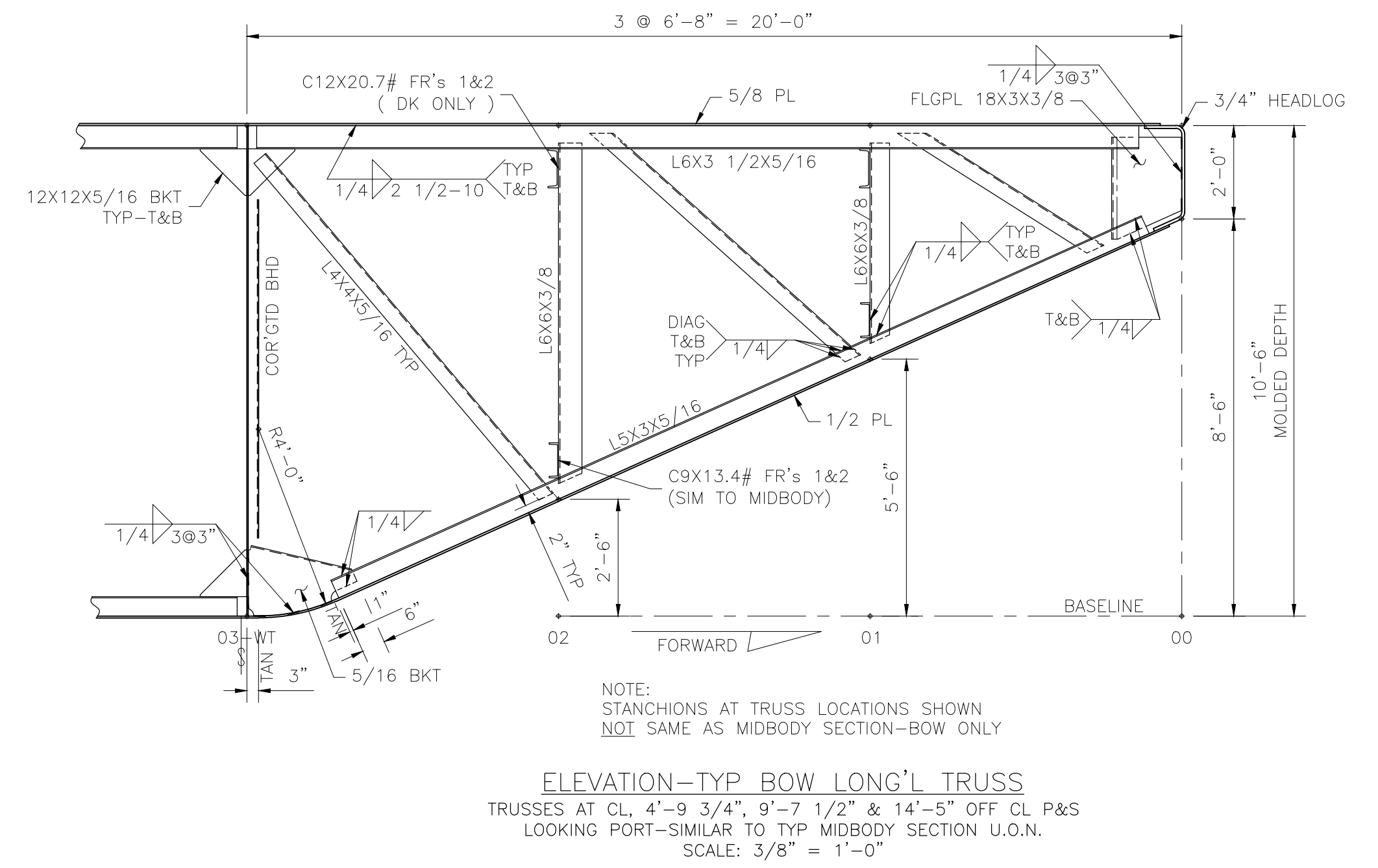
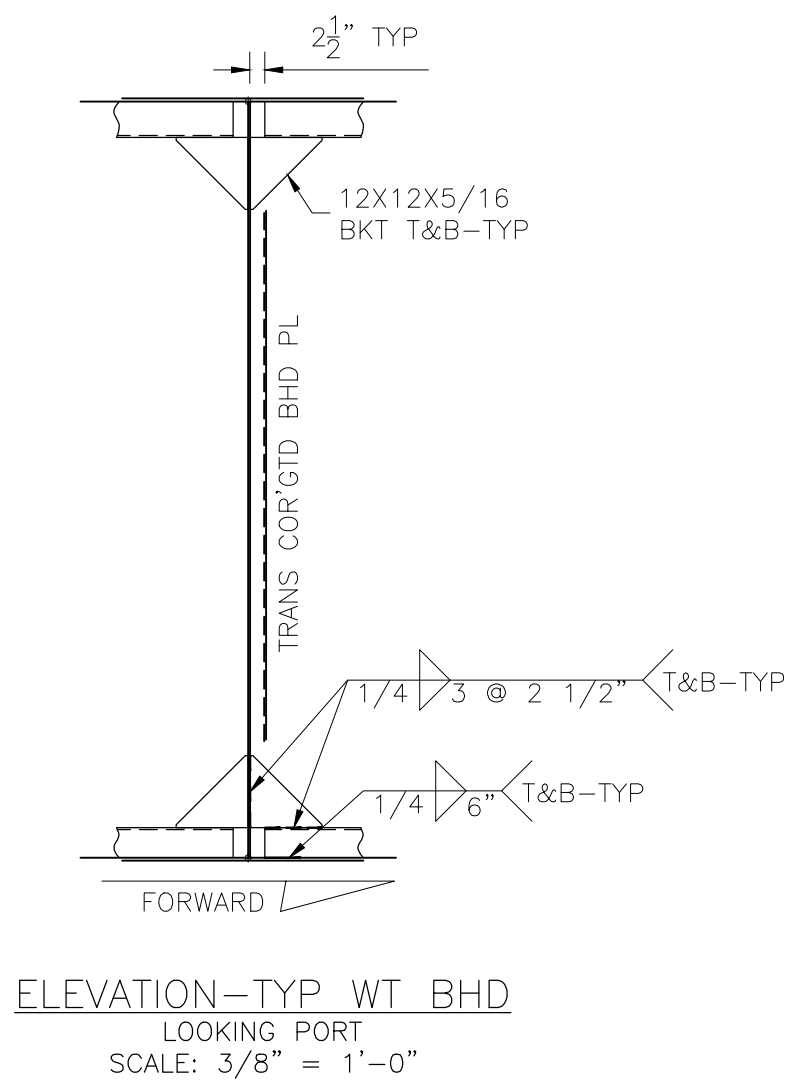
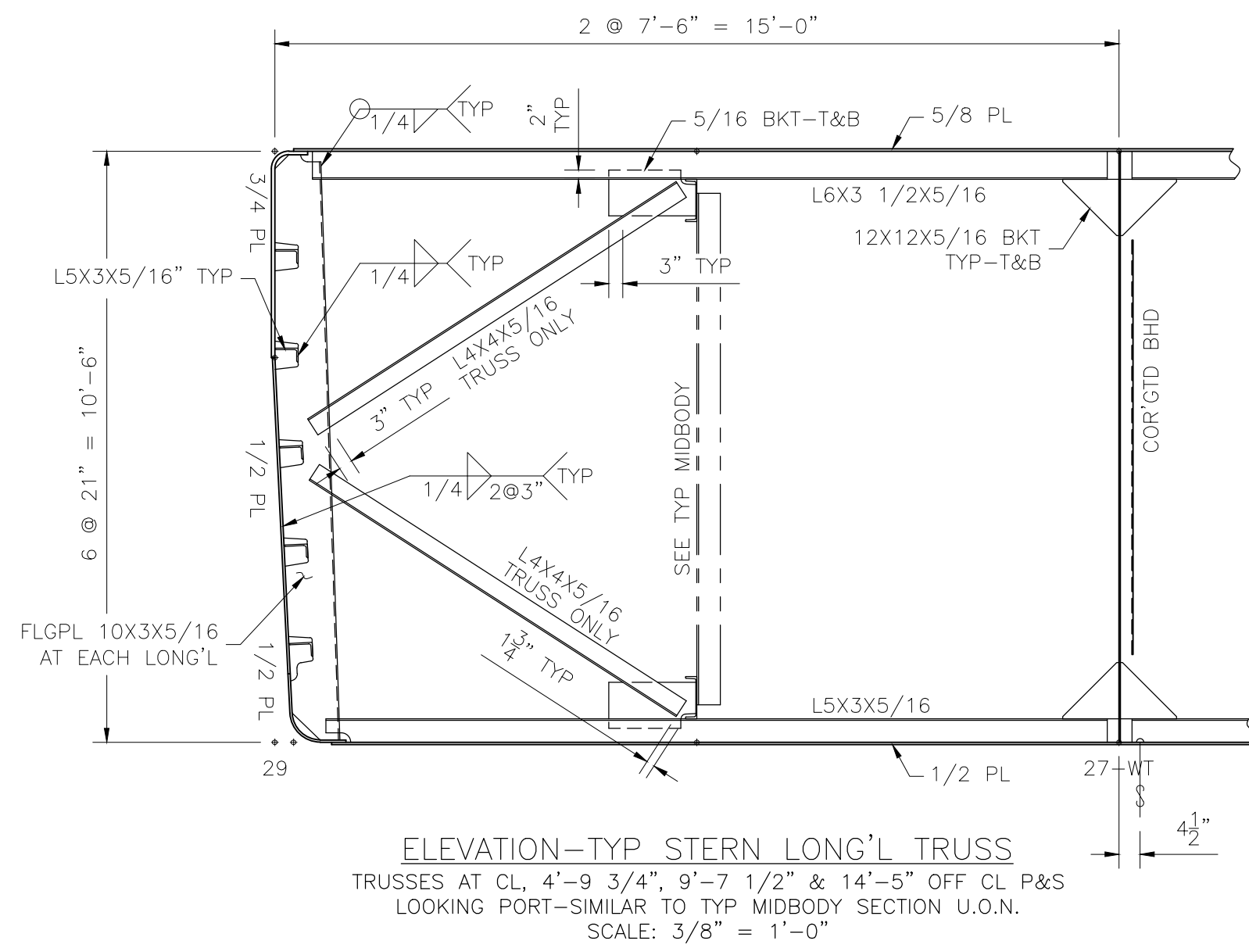
A ISSUED FOR QUOTATION
M. Dan Jones & Associates
MARINE ARCHITECTS MARINE CONSULTANTS
SUGAR LAND, TX
(281) 343-1686

CANAL BARGE COMPANY, INC
195' x 35' x 10'-6" 2000 PSF DECK BARGE

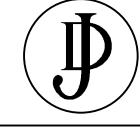
DR. SRS	DK.	TITLE
DATE 04/06/15	APPD	GENERAL ARRANGEMENT

This design and drawing are the exclusive properties of M. Dan Jones & Assoc. and are furnished strictly on a confidential basis. No portion of this drawing may be copied, traced, photographed, or in any other way reproduced nor may any item hereon depicted be manufactured as shown without the written consent of M. Dan Jones & Assoc. The recipient of the information contained hereon may not disclose the same to any other person, nor may he use such information except for the specific purpose intended.

SCALE AS NOTED DWG. NO. 15-03-01 ALT. A
SHT 1 OF 1



This design and drawing are the exclusive properties of M. Dan Jones & Assoc. and are furnished strictly on a confidential basis. No portion of this drawing may be copied, traced, photographed, or in any other way reproduced nor may any item hereon depicted be manufactured as shown without the written consent of M. Dan Jones & Assoc. The recipient of the information contained hereon may not disclose the same to any other person, nor may he use such information except for the specific purpose intended.

AS BUILT BARGE NUMBERS: CBC 1951, CBC 1952, CBC 1953 & CBC 1954		
A ISSUED FOR QUOTATION		
 M. Dan Jones & Associates MARINE ARCHITECTS MARINE CONSULTANTS SUGAR LAND, TX (281) 343-1686		
CANAL BARGE COMPANY, INC 195' x 35' x 10'-6" 2000 PSF DECK BARGE		
DR. SRS	DK.	TITLE
DATE 04/06/15	APPD	STRUCTURAL ARRANGEMENT
SCALE AS NOTED		DWG. NO. 15-03-02
		ALT. A